

IXDD509 / IXDE509

9 Ampere Low-Side Ultrafast MOSFET Drivers with Enable for fast, controlled shutdown

Features

- Built using the advantages and compatibility of CMOS and IXYS HDMOS™ processes
- Latch-Up Protected up to 9 Amps
- High 9A peak output current
- Wide operating range: 4.5V to 30V
- -55°C to +125°C Extended operating temperature
- Ability to disable output under faults
- High capacitive load drive capability: 1800pF in <15ns
- Matched rise and fall times
- Low propagation delay time
- Low output impedance
- Low supply current

Applications

- Driving MOSFETs and IGBTs
- Limiting di/dt under short circuit
- Motor controls
- Line drivers
- Pulse generators
- Local power ON/OFF switch
- Switch mode power supplies (SMPS)
- DC to DC converters
- Pulse transformer driver
- Class D switching amplifiers
- Power charge pumps

General Description

The IXDD509 and IXDE509 are high speed high current gate drivers specifically designed to drive the largest IXYS MOSFETs & IGBTs to their minimum switching time and maximum practical frequency limits. The IXDD509 and IXDE509 can source and sink 9 Amps of Peak Current while producing voltage rise and fall times of less than 30ns. The inputs of the Drivers are compatible with TTL or CMOS and are virtually immune to latch up over the entire operating range. Patented* design innovations eliminate cross conduction and current "shoot-through". Improved speed and drive capabilities are further enhanced by matched rise and fall times.

The IXDD509 and IXDE509 incorporate a unique ability to disable the output under fault conditions. When a logical low is forced into the Enable input, both final output stage MOSFETs, (NMOS and PMOS) are turned off. As a result, the output of the IXDD509 or IXDE509 enters a tristate high impedance mode and with additional circuitry, achieves a Soft Turn-Off of the MOSFET/IGBT when a short circuit is detected. This helps prevent damage that could occur to the MOSFET/IGBT if it were to be switched off abruptly due to a dv/dt over-voltage transient.

The IXDD509 and IXDE509 are available in the 8-Pin P-DIP (PI) package, the 8-Pin SOIC (SIA) package, and the 6-Lead DFN (D1) package, (which occupies less than 65% of the board area of the 8-Pin SOIC).

*United States Patent 6,917,227

Ordering Information

Part Number	Description	Package Type	Packing Style	Pack Qty	Configuration
IXDD509PI	9A Low Side Gate Driver I.C.	8-Pin PDIP	Tube	50	Non-Inverting with Enable
IXDD509SIA	9A Low Side Gate Driver I.C.	8-Pin SOIC	Tube	94	
IXDD509SIAT/R	9A Low Side Gate Driver I.C.	8-Pin SOIC	13" Tape and Reel	2500	
IXDD509D1	9A Low Side Gate Driver I.C.	6-Lead DFN	2" x 2" Waffle Pack	56	
IXDD509D1T/R	9A Low Side Gate Driver I.C.	6-Lead DFN	13" Tape and Reel	2500	
IXDE509PI	9A Low Side Gate Driver I.C.	8-Pin PDIP	Tube	50	Inverting with Enable
IXDE509SIA	9A Low Side Gate Driver I.C.	8-Pin SOIC	Tube	94	
IXDE509SIAT/R	9A Low Side Gate Driver I.C.	8-Pin SOIC	13" Tape and Reel	2500	
IXDE509D1	9A Low Side Gate Driver I.C.	6-Lead DFN	2" x 2" Waffle Pack	56	
IXDE509D1T/R	9A Low Side Gate Driver I.C.	6-Lead DFN	13" Tape and Reel	2500	

NOTE: All parts are lead-free and RoHS Compliant

Figure 1 - IXDD509 9A Non-Inverting Gate Driver Functional Block Diagram

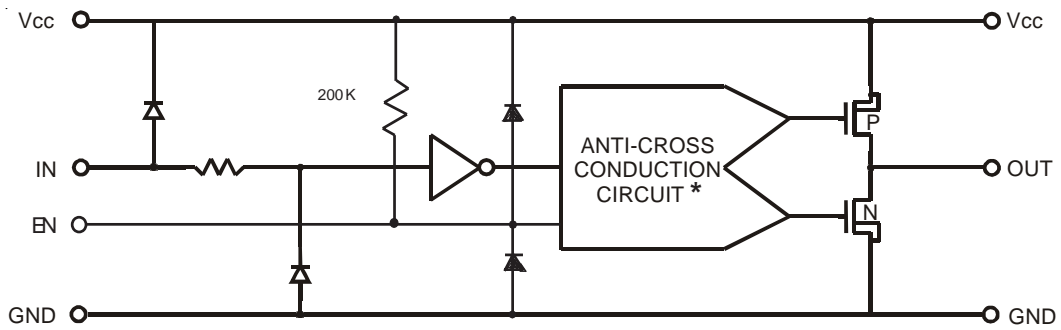
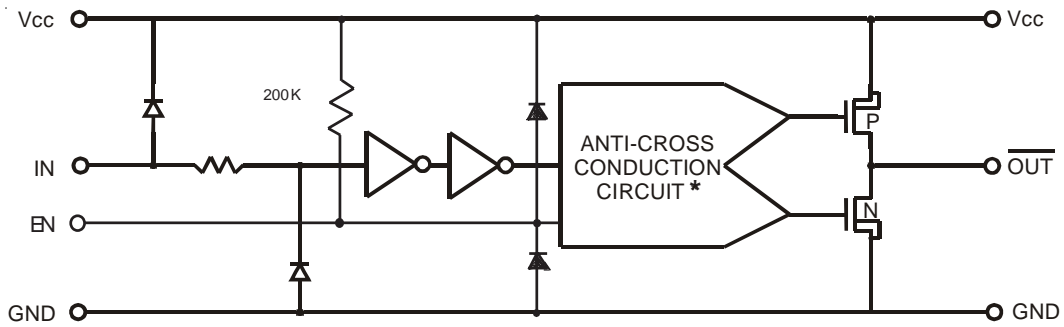


Figure 2 - IXDE509 Inverting 9A Gate Driver Functional Block Diagram



* United States Patent 6,917,227

Absolute Maximum Ratings ⁽¹⁾

Parameter	Value
Supply Voltage	35 V
All Other Pins (unless specified otherwise)	-0.3 V to $V_{CC} + 0.3V$
Junction Temperature	150 °C
Storage Temperature	-65 °C to 150 °C
Lead Temperature (10 Sec)	300 °C

Operating Ratings ⁽²⁾

Parameter	Value
Operating Supply Voltage	4.5V to 30V
Operating Temperature Range	-55 °C to 125 °C
Package Thermal Resistance*	
8-Pin PDIP (PI)	θ_{J-A} (typ) 125 °C/W
8-Pin SOIC (SIA)	θ_{J-A} (typ) 200 °C/W
6-Lead DFN (D1)	θ_{J-A} (typ) 125-200 °C/W
6-Lead DFN (D1)	θ_{J-C} (max) 2.0 °C/W
6-Lead DFN (D1)	θ_{J-S} (typ) 6.3 °C/W

Electrical Characteristics @ $T_A = 25^\circ\text{C}$ ⁽³⁾

Unless otherwise noted, $4.5V \leq V_{CC} \leq 30V$.

All voltage measurements with respect to GND. IXD_509 configured as described in *Test Conditions*. ⁽⁴⁾

Symbol	Parameter	Test Conditions	Min	Typ	Max	Units
V_{IH}, V_{ENH}	High input & EN voltage	$4.5V \leq V_{CC} \leq 18V$	2.4			V
V_{IL}, V_{ENL}	Low input & EN voltage	$4.5V \leq V_{CC} \leq 18V$			0.8	V
V_{IN}	Input voltage range		-5		$V_{CC} + 0.3$	V
V_{EN}	Enable voltage range		-.3		$V_{CC} + 0.3$	V
I_{IN}	Input current	$0V \leq V_{IN} \leq V_{CC}$	-10		10	μA
V_{OH}	High output voltage		$V_{CC} - 0.025$			V
V_{OL}	Low output voltage				0.025	V
R_{OH}	High state output resistance	$V_{CC} = 18V$		0.6	1	Ω
R_{OL}	Low state output resistance	$V_{CC} = 18V$		0.4	0.8	Ω
I_{PEAK}	Peak output current	$V_{CC} = 15V$		9		A
I_{DC}	Continuous output current	Limited by package power dissipation			2	A
t_R	Rise time	$C_{LOAD} = 10,000\text{pF}$ $V_{CC} = 18V$		25	45	ns
t_F	Fall time	$C_{LOAD} = 10,000\text{pF}$ $V_{CC} = 18V$		23	40	ns
t_{ONDLY}	On-time propagation delay	$C_{LOAD} = 10,000\text{pF}$ $V_{CC} = 18V$		18	35	ns
t_{OFFDLY}	Off-time propagation delay	$C_{LOAD} = 10,000\text{pF}$ $V_{CC} = 18V$		19	30	ns
t_{ENOH}	Enable to output high delay time	$V_{CC} = 18V$		25	50	ns
t_{DOLD}	Disable to output high impedance delay time	$V_{CC} = 18V$		60	80	ns
V_{CC}	Power supply voltage		4.5	18	30	V
I_{CC}	Power supply current	$V_{CC} = 18V, V_{IN} = 0V$ $V_{IN} = 3.5V$ $V_{IN} = V_{CC}$		1	75 3 75	μA mA mA

Electrical Characteristics @ temperatures over -55 °C to 125 °C ⁽³⁾

Unless otherwise noted, $4.5V \leq V_{CC} \leq 30V$, $T_j < 150^\circ\text{C}$

All voltage measurements with respect to GND. IXD_502 configured as described in *Test Conditions*. All specifications are for one channel. (4)

Symbol	Parameter	Test Conditions	Min	Typ	Max	Units
V_{IH}	High input voltage	$4.5V \leq V_{CC} \leq 18V$	2.4			V
V_{IL}	Low input voltage	$4.5V \leq V_{CC} \leq 18V$			0.8	V
V_{IN}	Input voltage range		-5		$V_{CC} + 0.3$	V
I_{IN}	Input current	$0V \leq V_{IN} \leq V_{CC}$	-10		10	μA
V_{OH}	High output voltage		$V_{CC} - 0.025$			V
V_{OL}	Low output voltage				0.025	V
R_{OH}	High state output resistance	$V_{CC} = 18V$			2	Ω
R_{OL}	Low state output resistance	$V_{CC} = 18V$			1.5	Ω
I_{DC}	Continuous output current				1	A
t_R	Rise time	$C_{LOAD} = 10,000\text{pF}$ $V_{CC} = 18V$			60	ns
t_F	Fall time	$C_{LOAD} = 10,000\text{pF}$ $V_{CC} = 18V$			60	ns
t_{ONDLY}	On-time propagation delay	$C_{LOAD} = 10,000\text{pF}$ $V_{CC} = 18V$			55	ns
t_{OFFDLY}	Off-time propagation delay	$C_{LOAD} = 10,000\text{pF}$ $V_{CC} = 18V$			40	ns
t_{ENOH}	Enable to output high delay time	$V_{CC} = 18V$			60	ns
t_{DOLD}	Disable to output high impedance delay time	$V_{CC} = 18V$			100	ns
V_{CC}	Power supply voltage		4.5	18	30	V
I_{CC}	Power supply current	$V_{CC} = 18V$, $V_{IN} = 0V$ $V_{IN} = 3.5V$ $V_{IN} = V_{CC}$			0.13 3 0.13	μA mA mA

Notes:

- Operating the device beyond the parameters listed as "Absolute Maximum Ratings" may cause permanent damage to the device. Exposure to absolute maximum rated conditions for extended periods may affect device reliability.
- The device is not intended to be operated outside of the Operating Ratings.
- Electrical Characteristics provided are associated with the stated Test Conditions.
- Typical values are presented in order to communicate how the device is expected to perform, but not necessarily to highlight any specific performance limits within which the device is guaranteed to function.

* The following notes are meant to define the conditions for the θ_{J-A} , θ_{J-C} and θ_{J-S} values:

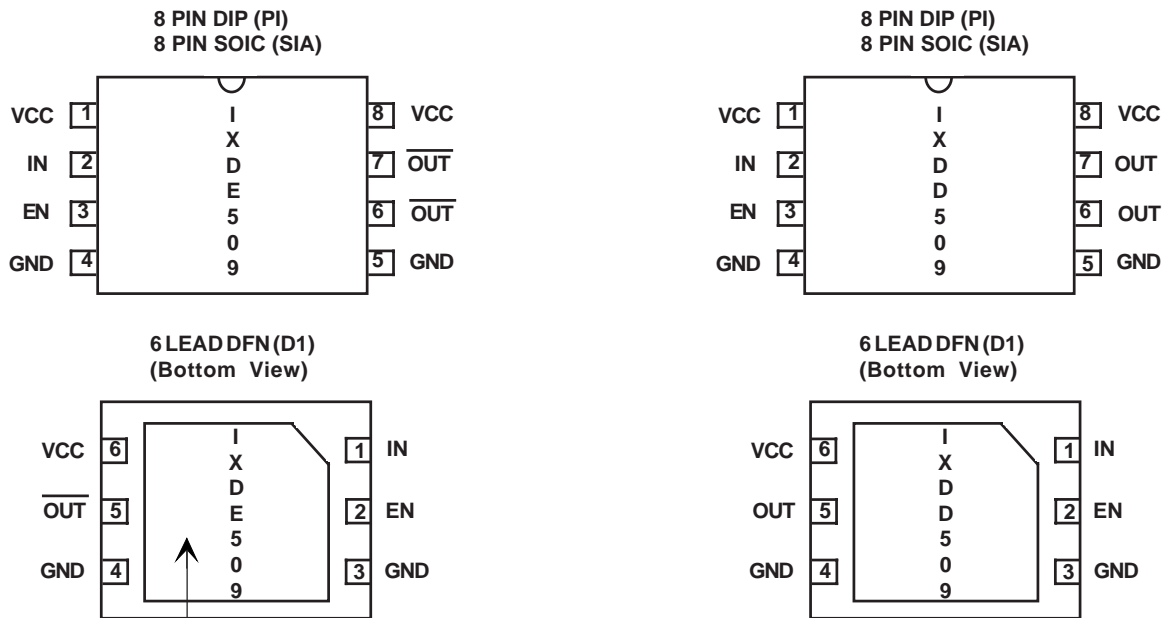
- The θ_{J-A} (typ) is defined as junction to ambient. The θ_{J-A} of the standard single die 8-Lead PDIP and 8-Lead SOIC are dominated by the resistance of the package, and the IXD_5XX are typical. The values for these packages are natural convection values with vertical boards and the values would be lower with forced convection. For the 6-Lead DFN package, the θ_{J-A} value supposes the DFN package is soldered on a PCB. The θ_{J-A} (typ) is 200 °C/W with no special provisions on the PCB, but because the center pad provides a low thermal resistance to the die, it is easy to reduce the θ_{J-A} by adding connected copper pads or traces on the PCB. These can reduce the θ_{J-A} (typ) to 125 °C/W easily, and potentially even lower. The θ_{J-A} for DFN on PCB without heatsink or thermal management will vary significantly with size, construction, layout, materials, etc. This typical range tells the user what he is likely to get if he does no thermal management.
- θ_{J-C} (max) is defined as junction to case, where case is the large pad on the back of the DFN package. The θ_{J-C} values are generally not published for the PDIP and SOIC packages. The θ_{J-C} for the DFN packages are important to show the low thermal resistance from junction to the die attach pad on the back of the DFN, -- and a guardband has been added to be safe.
- The θ_{J-S} (typ) is defined as junction to heatsink, where the DFN package is soldered to a thermal substrate that is mounted on a heatsink. The value must be typical because there are a variety of thermal substrates. This value was calculated based on easily available IMS in the U.S. or Europe, and not a premium Japanese IMS. A 4 mil dielectric with a thermal conductivity of 2.2W/mC was assumed. The result was given as typical, and indicates what a user would expect on a typical IMS substrate, and shows the potential low thermal resistance for the DFN package.

Pin Description

PIN	SYMBOL	FUNCTION	DESCRIPTION
1,8	VCC	Supply Voltage	Power supply input voltage. These pins provide power to the entire device. The range for this voltage is from 4.5V to 30V.
2	IN	Input	Input signal-TTL or CMOS compatible.
3	EN	Enable	The device ENABLE pin. This pin, when driven low, disables the chip, forcing a high impedance state at the output. EN can be pulled high by a resistor.
6,7	OUT	Output	Driver Output. For application purposes, these pins are connected, through a resistor, to Gate of a MOSFET/IGBT.
4,8	GND	Ground	The device ground pins. Internally connected to all circuitry, these pins provide ground reference for the entire chip and should be connected to a low noise analog ground plane for optimum performance.

CAUTION: Follow proper ESD procedures when handling and assembling this component.

PIN CONFIGURATIONS



NOTE: Solder tabs on bottoms of DFN packages are grounded

Figure 3 - Characteristics Test Diagram

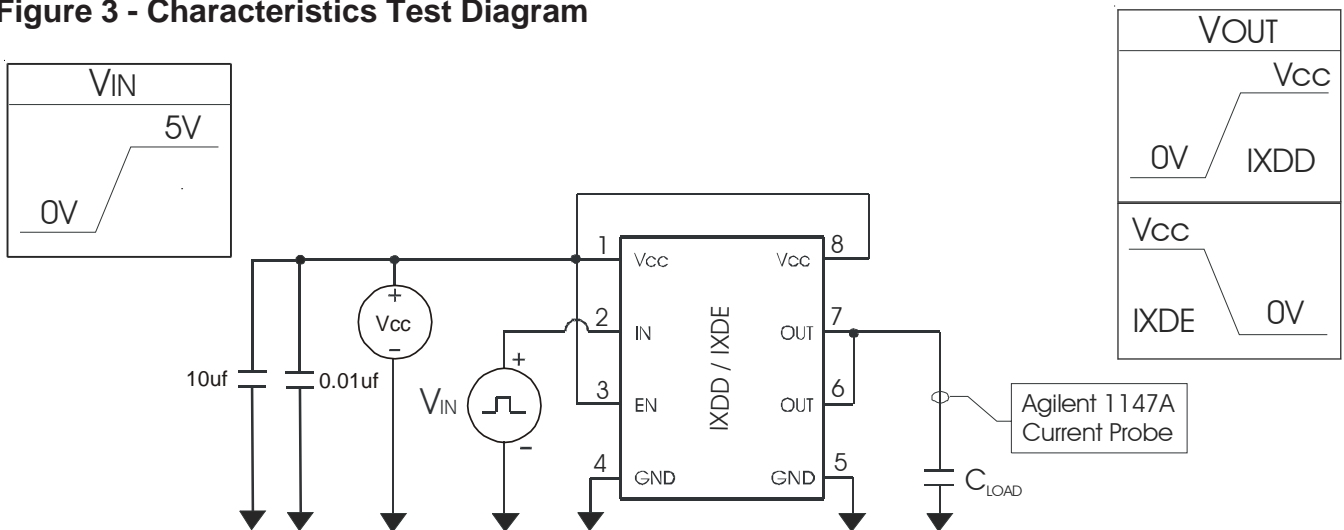
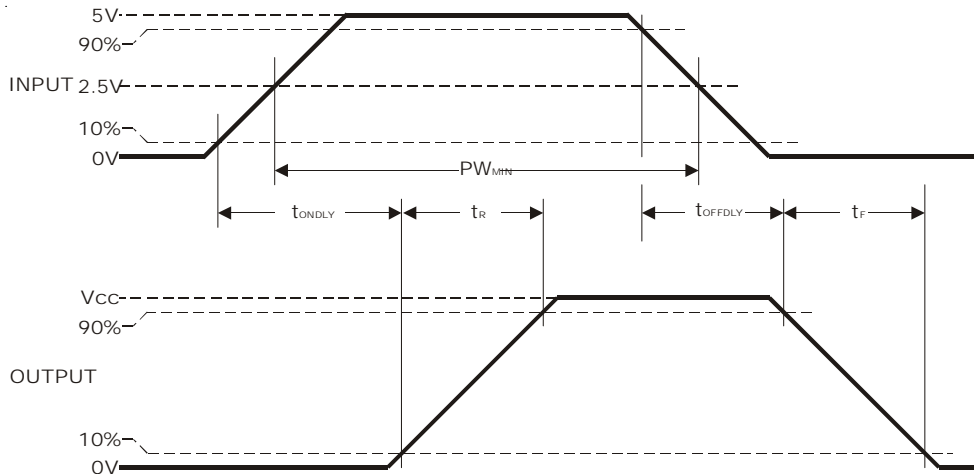
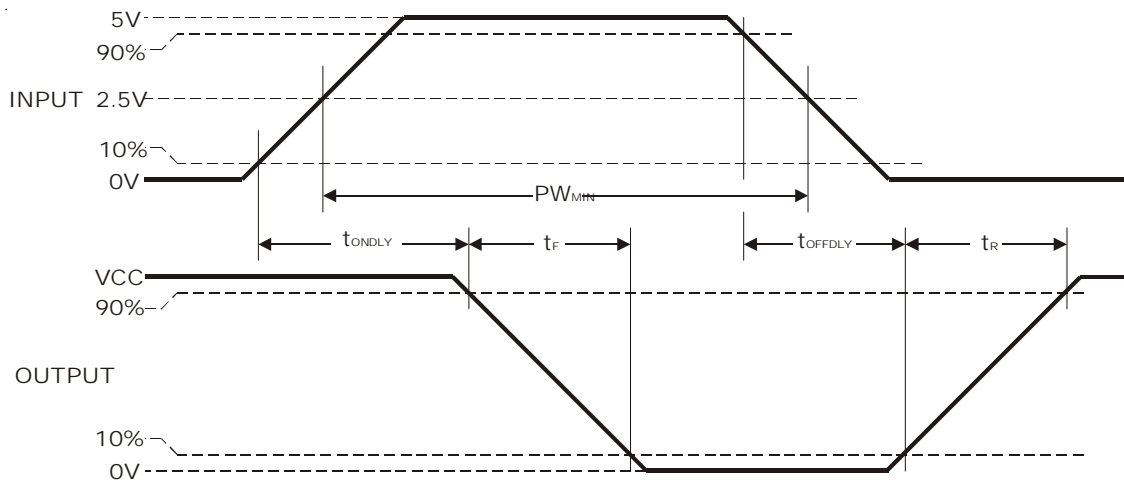


Figure 4 - Timing Diagrams

Non-Inverting (IXDD509) Timing Diagram



Inverting (IXDE509) Timing Diagram



Typical Performance Characteristics

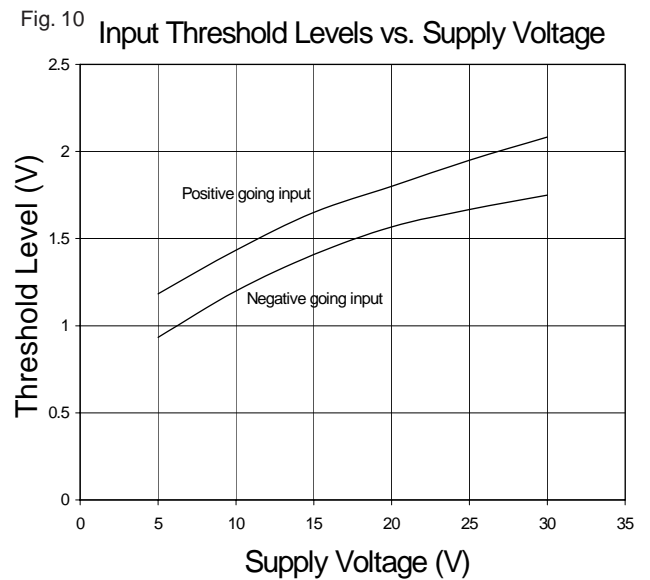
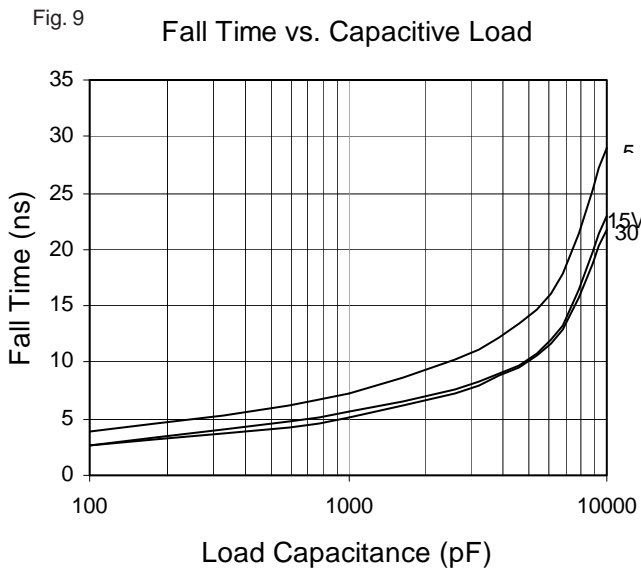
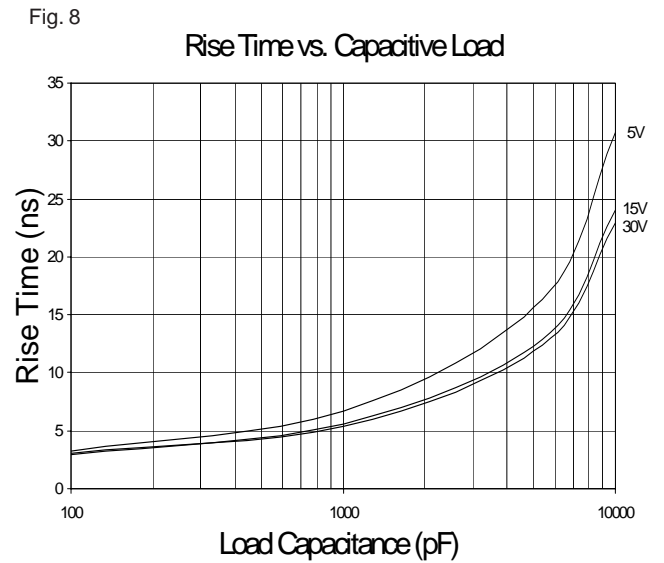
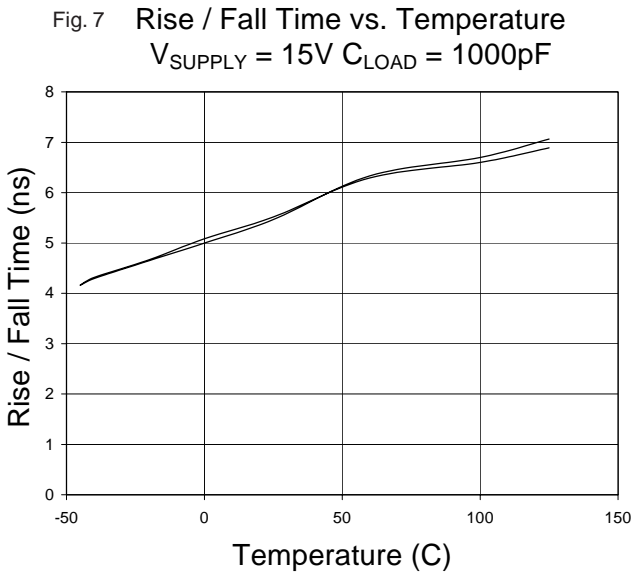
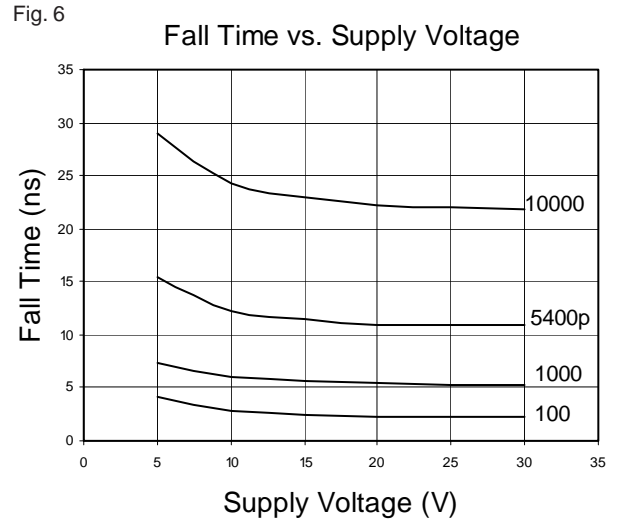
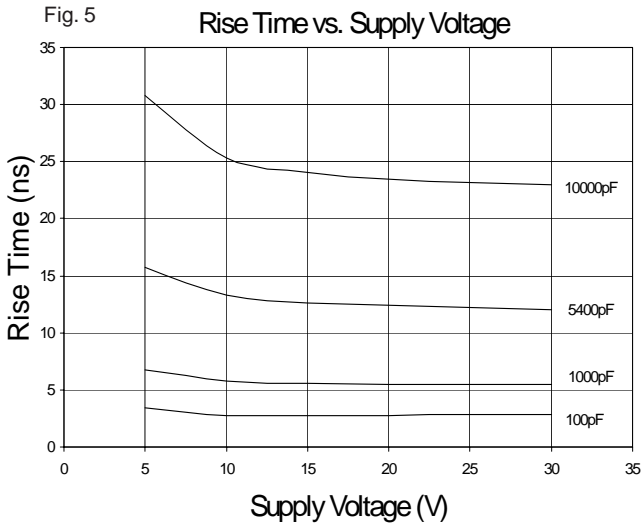


Fig. 11 Input Threshold Levels vs. Temperature
 $V_{SUPPLY} = 15V$

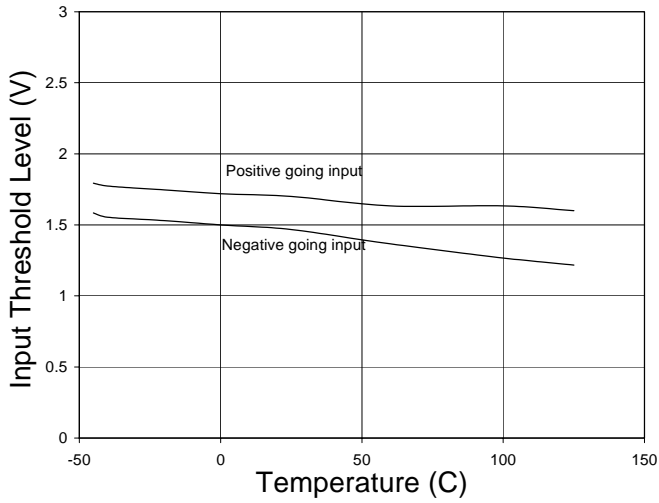


Fig. 12 Propagation Delay vs. Supply Voltage
 Rising Input, $C_{LOAD} = 1000pF$

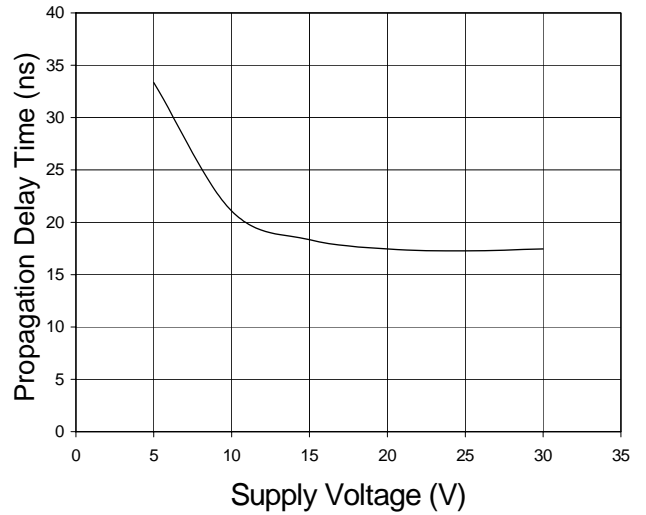


Fig. 13 Propagation Delay vs. Supply Voltage
 Falling Input, $C_{LOAD} = 1000pF$

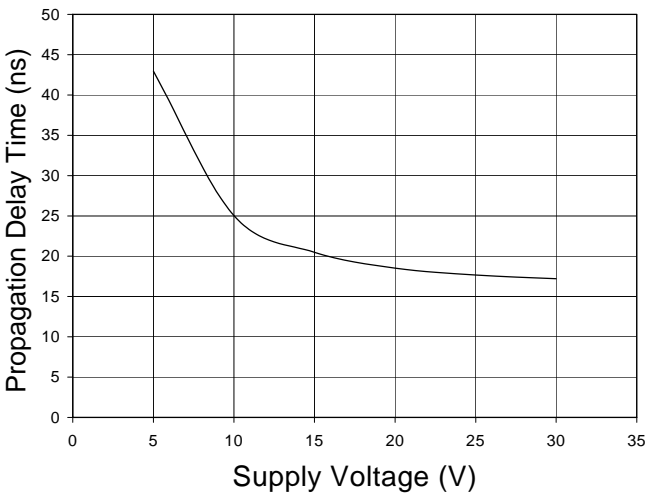


Fig. 14 Propagation Delay vs. Temperature
 $V_{SUPPLY} = 15V$ $C_{LOAD} = 1000pF$

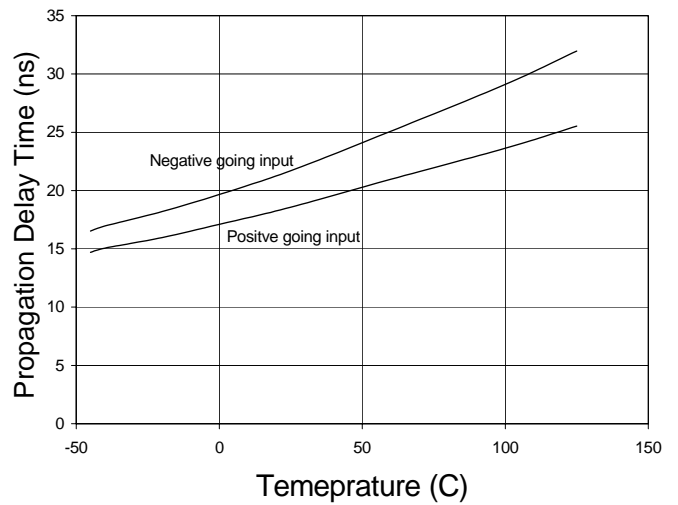


Fig. 15 Quiescent Current vs. Supply Voltage

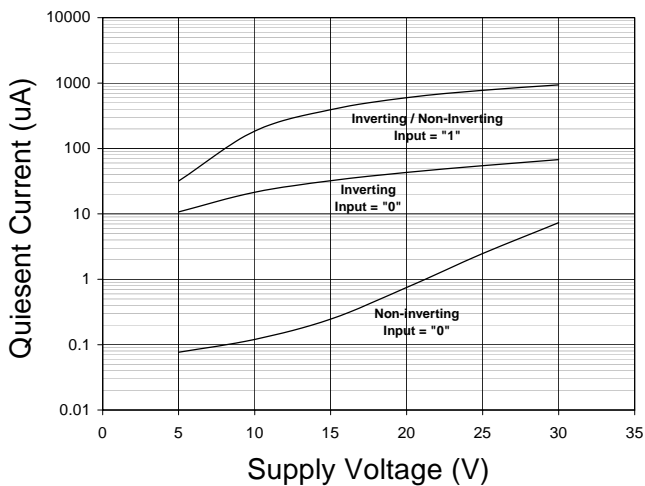


Fig. 16 Quiescent Current vs. Temperature
 $V_{SUPPLY} = 15V$

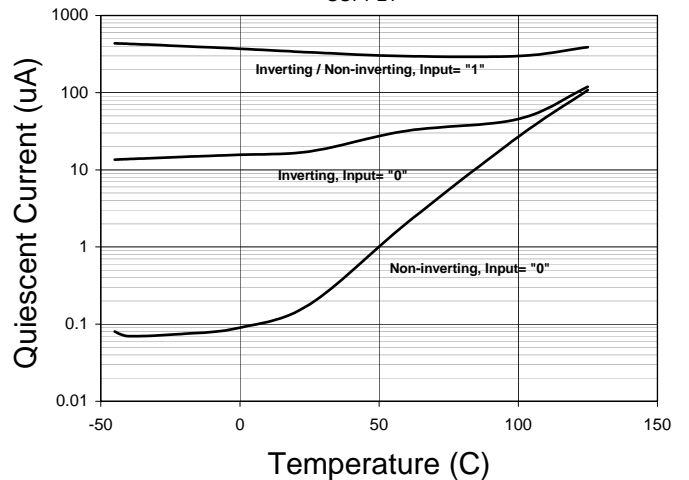


Fig. 17 Supply Current vs. Capacitive Load
 $V_{SUPPLY} = 5V$

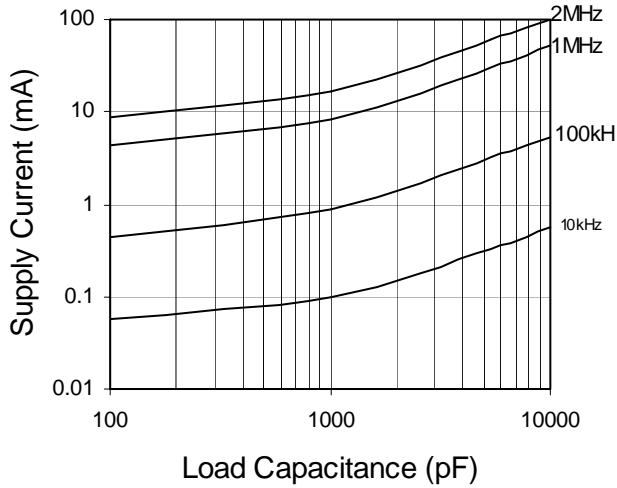


Fig. 18 Supply Current vs. Frequency
 $V_{SUPPLY} = 5V$

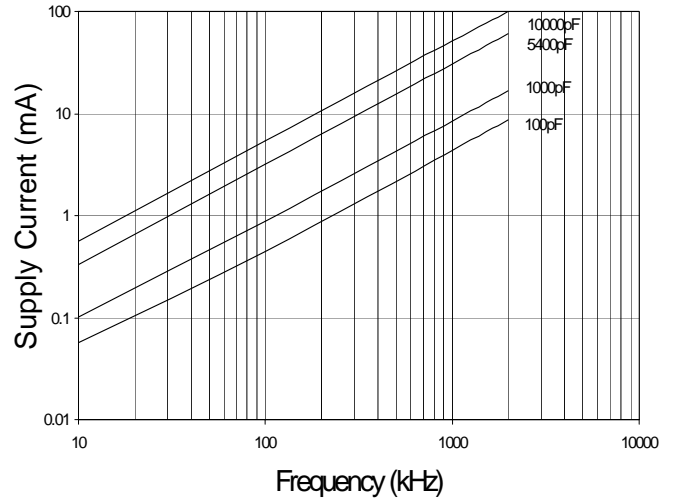


Fig. 19 Supply Current vs. Capacitive Load
 $V_{SUPPLY} = 15V$

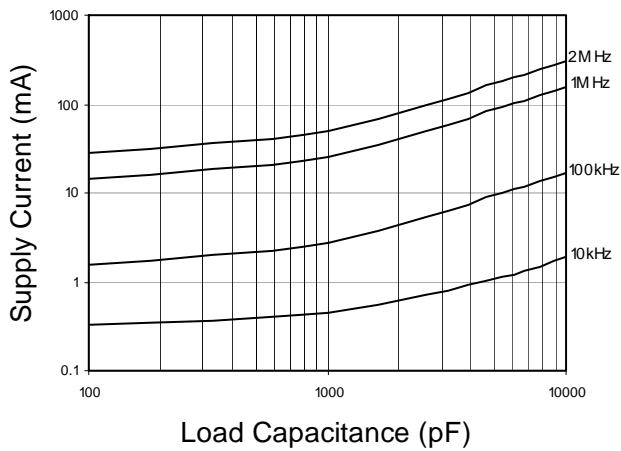


Fig. 20 Supply Current vs. Frequency
 $V_{SUPPLY} = 15V$

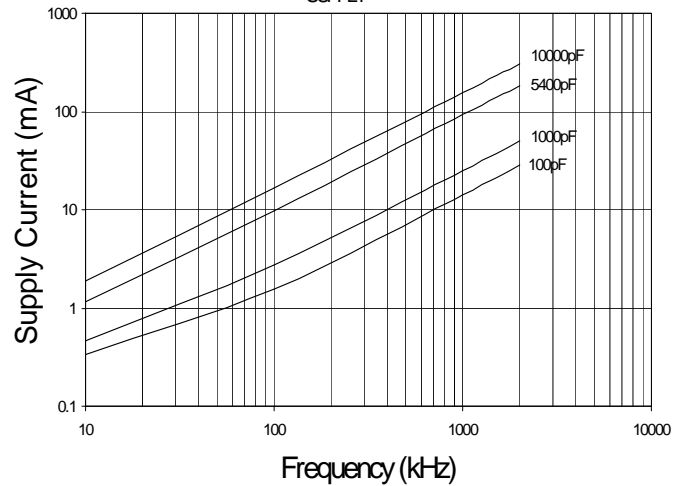


Fig. 21 Supply Current vs. Capacitive Load
 $V_{SUPPLY} = 30V$

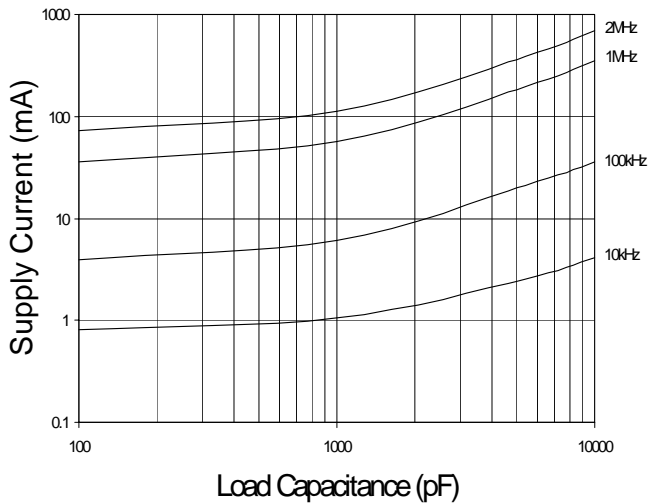


Fig. 22 Supply Current vs. Frequency
 $V_{SUPPLY} = 30V$

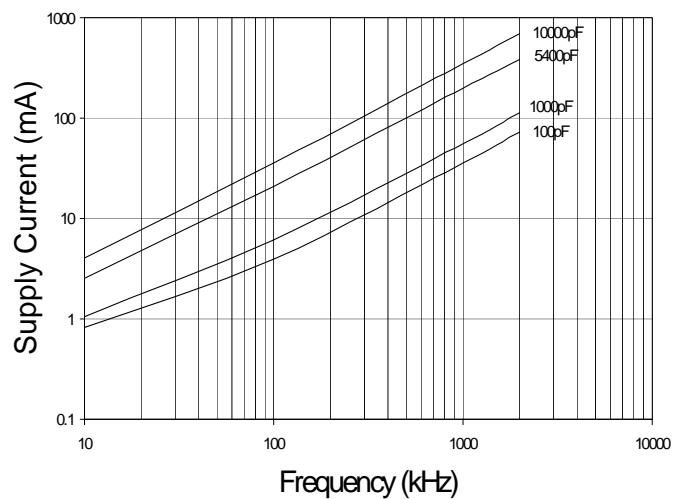


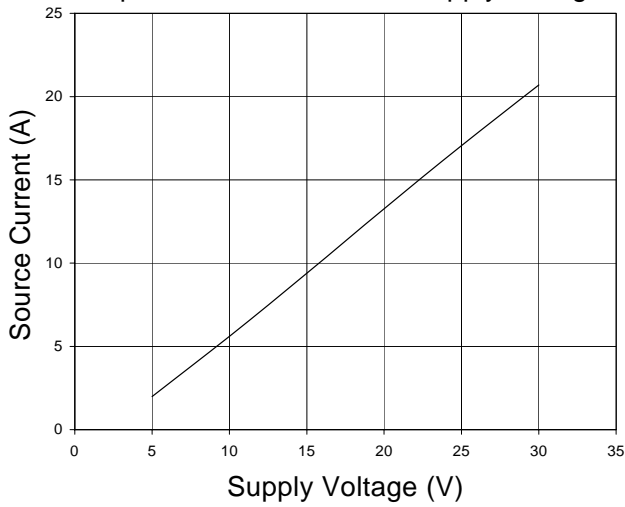
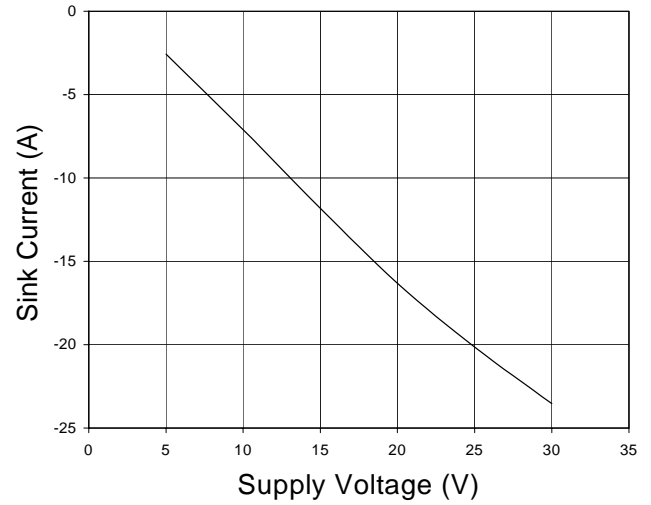
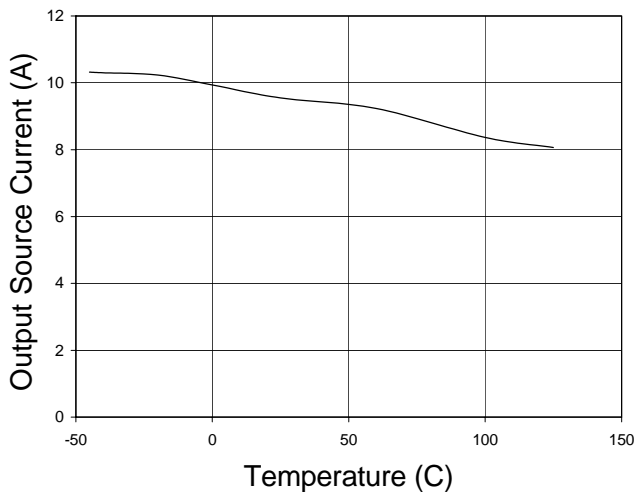
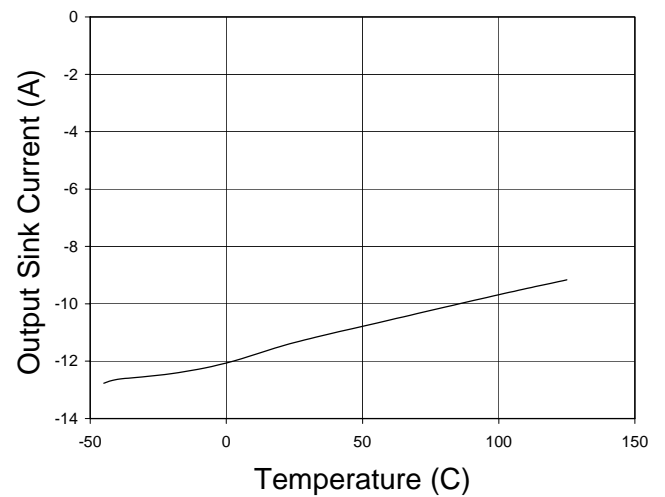
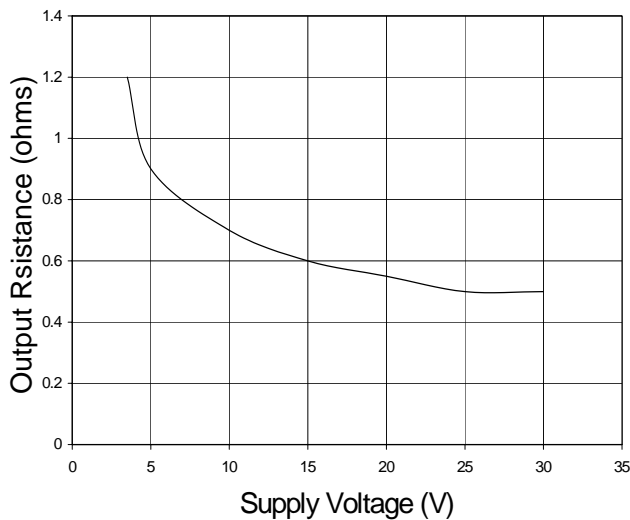
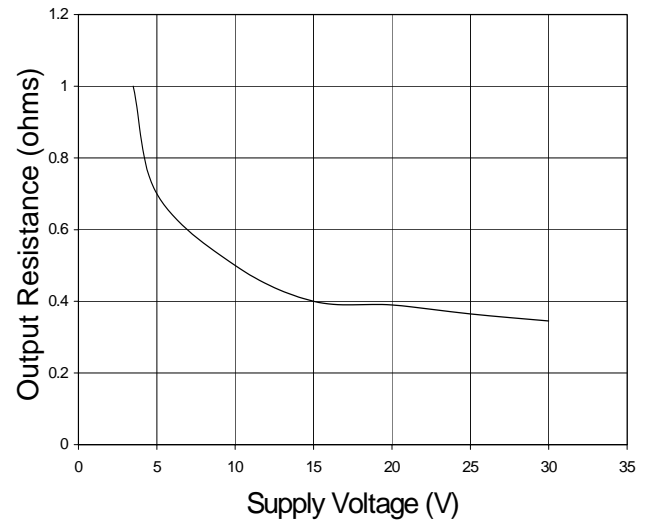
Fig. 23 Output Source Current vs. Supply Voltage

Fig. 24 Output Sink Current vs. Supply Voltage

Fig. 25 Output Source Current vs. Temperature
 $V_{\text{SUPPLY}} = 15\text{V}$

Fig. 26 Output Sink Current vs. Temperature
 $V_{\text{SUPPLY}} = 15\text{V}$

Fig. 27 High State Output Resistance vs. Supply Voltage

Fig. 28 Low State Output Resistance vs. Supply Voltage


Fig. 29

ENABLE Threshold vs. Supply Voltage

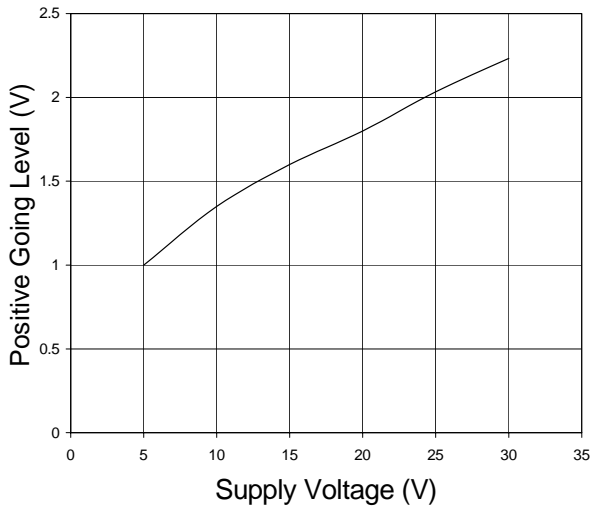


Fig. 30

ENABLE Threshold vs. Temperature
 $V_{SUPPLY} = 15V$

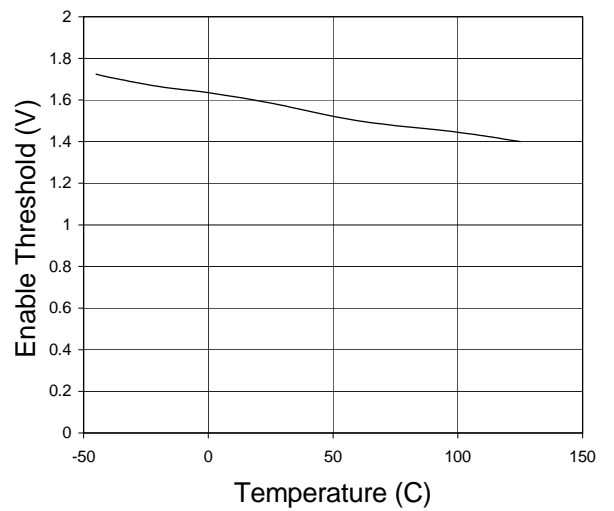


Fig. 31

ENABLE Propagation Time vs. Supply Voltage

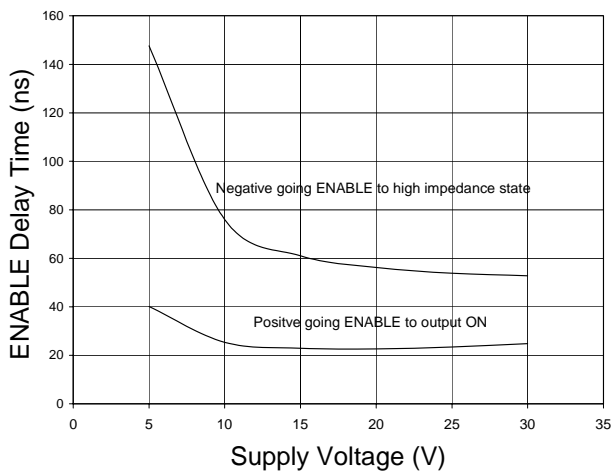


Fig. 32

ENABLE Propagation vs. Temperature
 $V_{SUPPLY} = 15V$

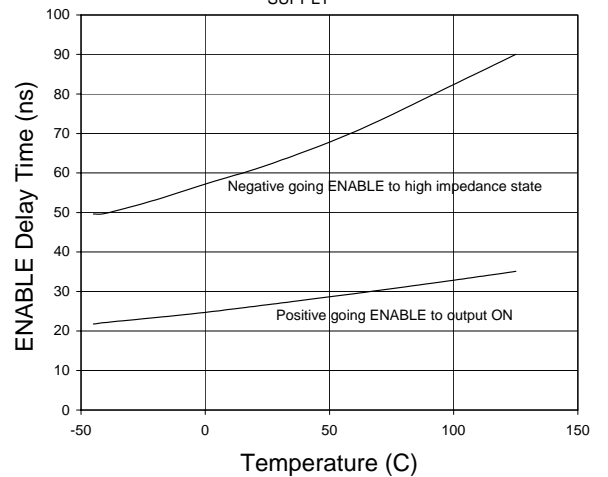
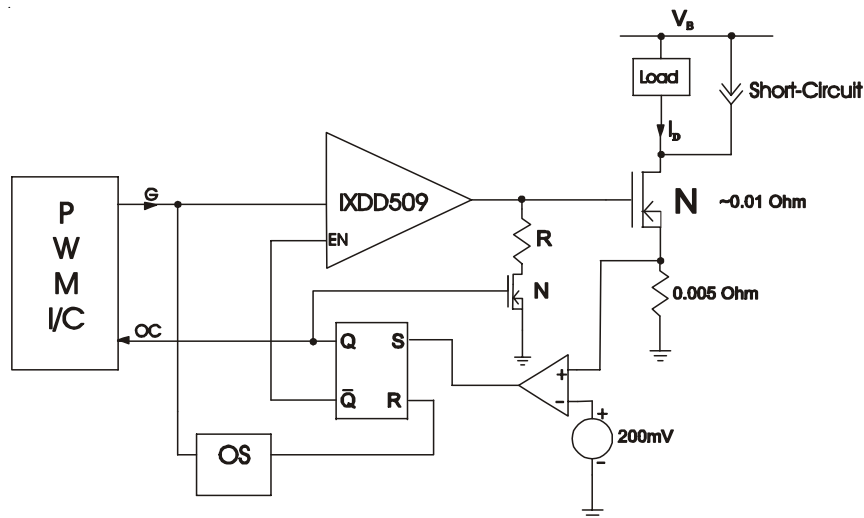


Figure 33 - Typical Application Short Circuit di/dt Limit



Short Circuit di/dt Limit

A short circuit in a high-power MOSFET module such as the VM0580-02F, (580A, 200V), as shown in Figure 27, can cause the current through the module to flow in excess of 1500A for 10 μ s or more prior to self-destruction due to thermal runaway. For this reason, some protection circuitry is needed to turn off the MOSFET module. However, if the module is switched off too fast, there is a danger of voltage transients occurring on the drain due to $L di/dt$, (where L represents total inductance in series with drain). If these voltage transients exceed the MOSFET's voltage rating, this can cause an avalanche breakdown.

The IXDD509 and IXDE509 have the unique capability to softly switch off the high-power MOSFET module, significantly reducing these $L di/dt$ transients.

Thus, the IXDD509/IXDE509 help to prevent device destruction from *both* dangers; over-current, and avalanche breakdown due to di/dt induced over-voltage transients.

The IXDD509/IXDE509 are designed to not only provide $\pm 9A$ under normal conditions, but also to allow their outputs to go into a high impedance state. This permits the IXDD509/IXDE509 output to control a separate weak pull-down circuit during detected overcurrent shutdown conditions to limit and separately control d_{VGS}/dt gate turnoff. This circuit is shown in Figure 34.

Referring to Figure 34, the protection circuitry should include a comparator, whose positive input is connected to the source of the VM0580-02. A low pass filter should be added to the input of the comparator to eliminate any glitches in voltage caused

APPLICATIONS INFORMATION

by the inductance of the wire connecting the source resistor to ground. (Those glitches might cause false triggering of the comparator).

The comparator's output should be connected to a SRFF(Reset Flip Flop). The flip-flop controls both the Enable signal, and the low power MOSFET gate. Please note that CMOS 4000-series devices operate with a V_{CC} range from 3 to 15 VDC, (with 18 VDC being the maximum allowable limit).

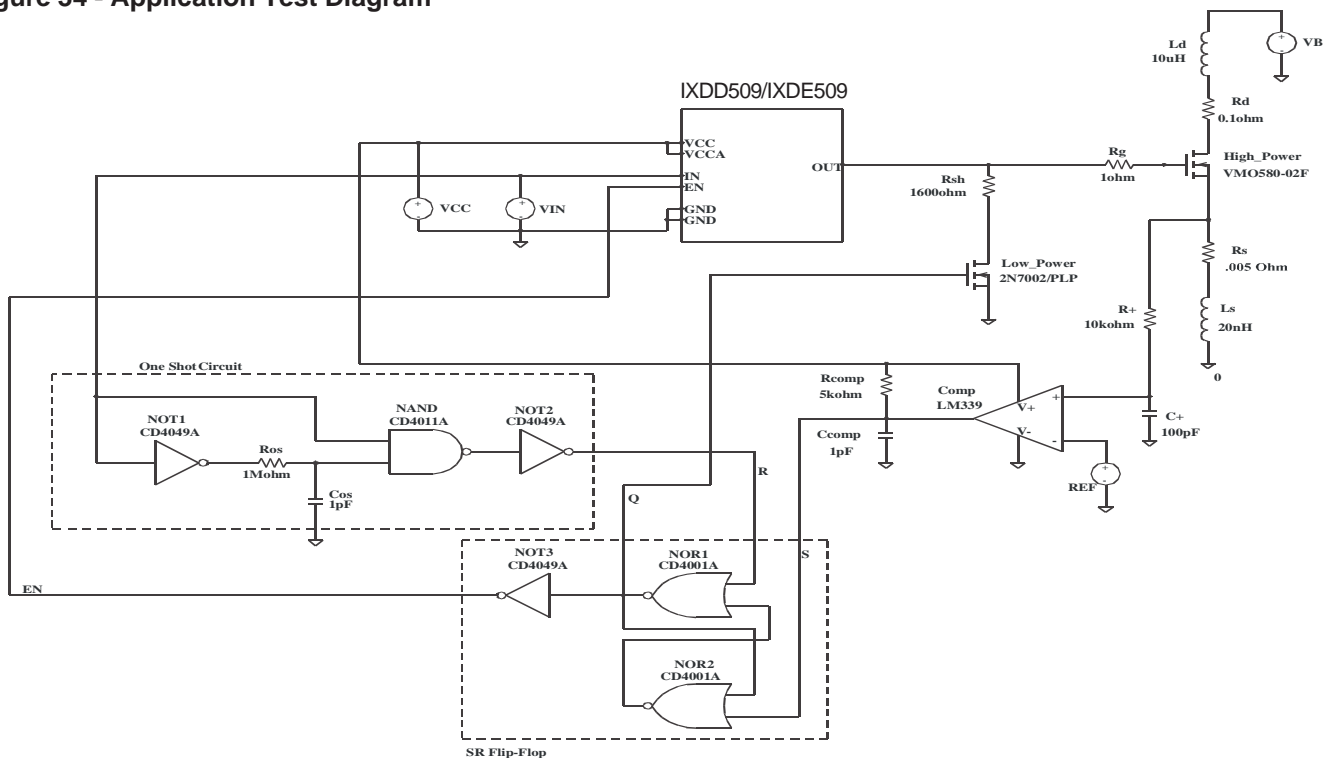
A low power MOSFET, such as the 2N7000, in series with a resistor, will enable the VM0580-02F gate voltage to drop gradually. The resistor should be chosen so that the RC time constant will be 100 μ s, where "C" is the Miller capacitance of the VM0580-02F.

For resuming normal operation, a Reset signal is needed at the SRFF's input to enable the IXDD509/IXDE509 again. This Reset can be generated by connecting a One Shot circuit between the IXDD509/IXDE509 Input signal and the SRFF restart input. The One Shot will create a pulse on the rise of the IXDD509/IXDE509 input, and this pulse will reset the SRFF outputs to normal operation.

When a short circuit occurs, the voltage drop across the low-value, current-sensing resistor, ($R_s=0.005$ Ohm), connected between the MOSFET Source and ground, increases. This triggers the comparator at a preset level. The SRFF drives a low input into the Enable pin disabling the IXDD509/IXDE509 output. The SRFF also turns on the low power MOSFET, (2N7000).

In this way, the high-power MOSFET module is softly turned off by the IXDD509/IXDE509, preventing its destruction.

Figure 34 - Application Test Diagram



Supply Bypassing and Grounding Practices, Output Lead inductance

When designing a circuit to drive a high speed MOSFET utilizing the IXDD509/IXDE509, it is very important to keep certain design criteria in mind, in order to optimize performance of the driver. Particular attention needs to be paid to **Supply Bypassing, Grounding,** and minimizing the **Output Lead Inductance.**

Say, for example, we are using the IXDD509 to charge a 5000pF capacitive load from 0 to 25 volts in 25ns...

Using the formula: $I = C(\Delta V / \Delta t)$, where $\Delta V = 25V$ $C = 5000pF$ & $\Delta t = 25ns$ we can determine that to charge 5000pF to 25 volts in 25ns will take a constant current of 5A. (In reality, the charging current won't be constant, and will peak somewhere around 9A).

SUPPLY BYPASSING

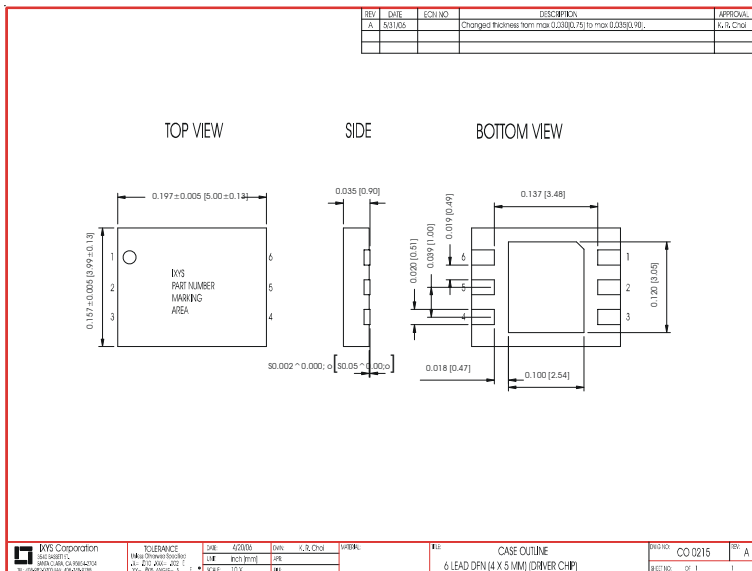
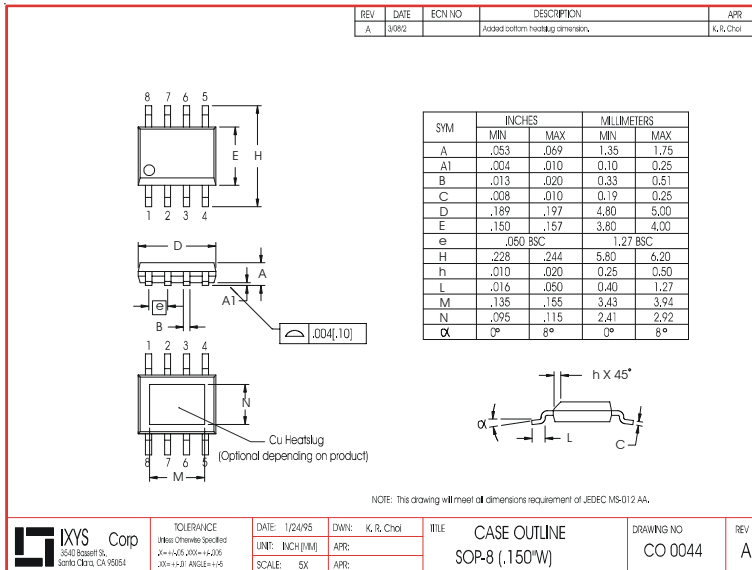
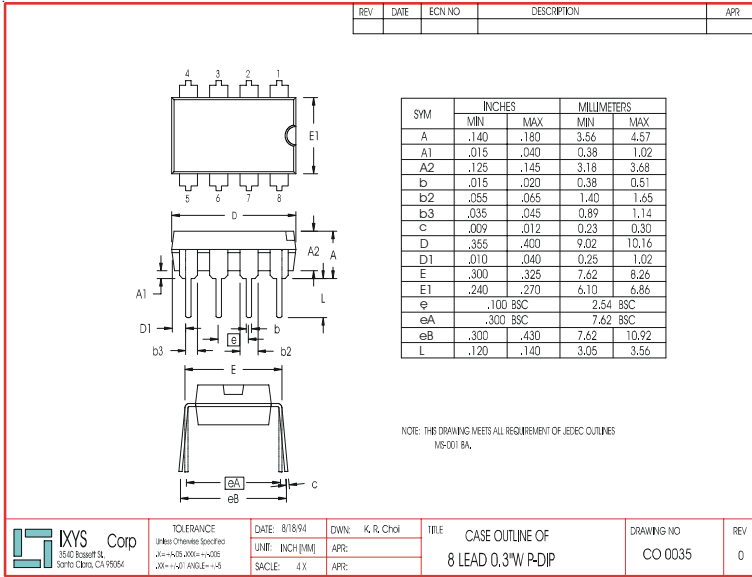
In order for our design to turn the load on properly, the IXDD509 must be able to draw this 5A of current from the power supply in the 25ns. This means that there must be very low impedance between the driver and the power supply. The most common method of achieving this low impedance is to bypass the power supply at the driver with a capacitance value that is a magnitude larger than the load capacitance. Usually, this would be achieved by placing two different types of bypassing capacitors, with complementary impedance curves, very close to the driver itself. (These capacitors should be carefully selected, low inductance, low resistance, high-pulse current-service capacitors). Lead lengths may radiate at high frequency due to inductance, so care should be taken to keep the lengths of the leads between these bypass capacitors and the IXDD509 to an absolute minimum.

GROUNDING

In order for the design to turn the load off properly, the IXDD509 must be able to drain this 5A of current into an adequate grounding system. There are three paths for returning current that need to be considered: Path #1 is between the IXDD509 and it's load. Path #2 is between the IXDD509 and it's power supply. Path #3 is between the IXDD509 and whatever logic is driving it. All three of these paths should be as low in resistance and inductance as possible, and thus as short as practical. In addition, every effort should be made to keep these three ground paths distinctly separate. Otherwise, for instance, the returning ground current from the load may develop a voltage that would have a detrimental effect on the logic line driving the IXDD509.

OUTPUT LEAD INDUCTANCE

Of equal importance to Supply Bypassing and Grounding are issues related to the Output Lead Inductance. Every effort should be made to keep the leads between the driver and it's load as short and wide as possible. If the driver must be placed farther than 0.2" from the load, then the output leads should be treated as transmission lines. In this case, a twisted-pair should be considered, and the return line of each twisted pair should be placed as close as possible to the ground pin of the driver, and connect directly to the ground terminal of the load.



IXYS Corporation
 3540 Bassett St; Santa Clara, CA 95054
 Tel: 408-982-0700; Fax: 408-496-0670
 e-mail: sales@ixys.net
 www.ixys.com

IXYS Semiconductor GmbH
 Edisonstrasse 15 ; D-68623; Lampertheim
 Tel: +49-6206-503-0; Fax: +49-6206-503627
 e-mail: marcom@ixys.de